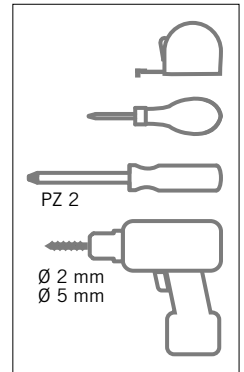
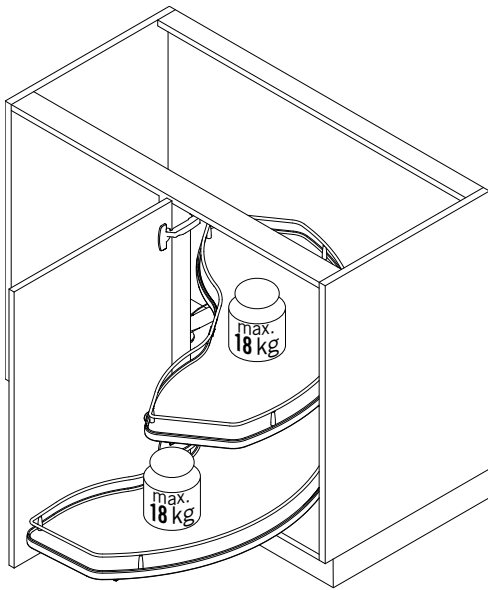


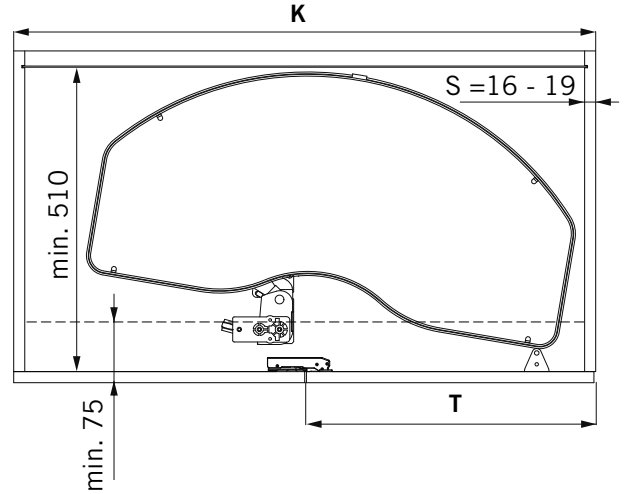
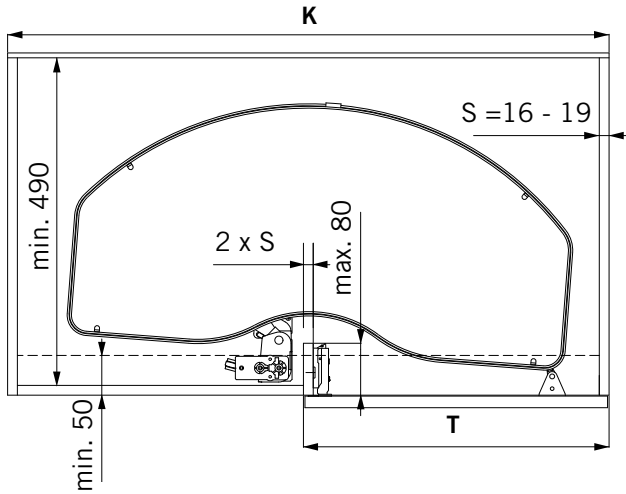
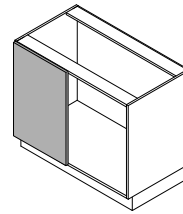
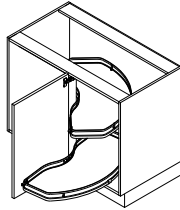
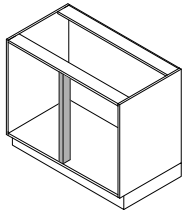
VS CORNERSTONE® Swing

**VAUTH
SAGEL**



1 Main vertical support post
2 Bottom mounting bracket
3 Side support brackets
4 Top mounting bracket
5 Alternative top bracket
6 Alternative top bracket (Option)
7 Shelf frame
8 Shelf support ring
9 Shelf support ring
10 Shelf support brackets
11 Shelf support rings
12 Alternative side support bracket
13 Alternative side support bracket

(8 x) 6.3 x 10.5	(1 x) 6.3 x 13.5	(2 x) M5 x 16	(10 x) 4 x 15

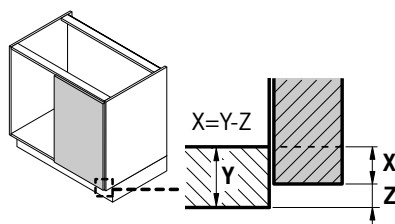
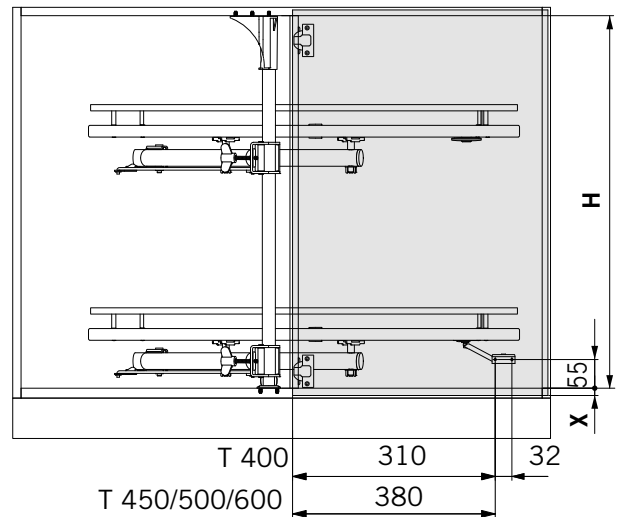
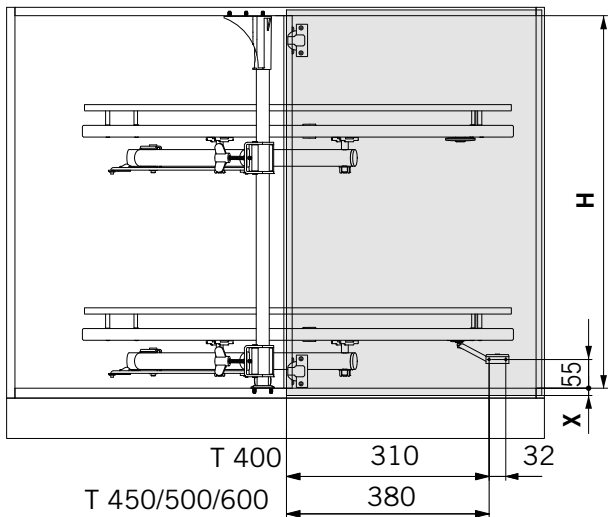


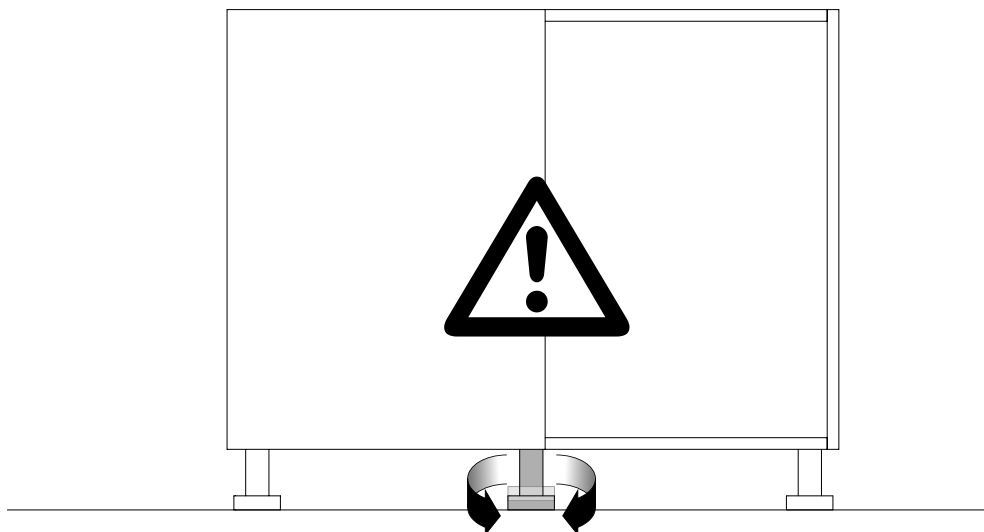
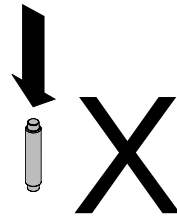
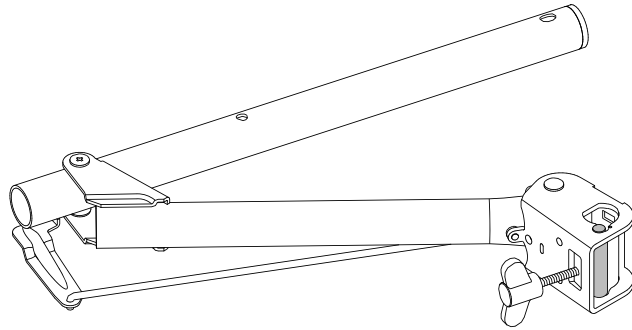
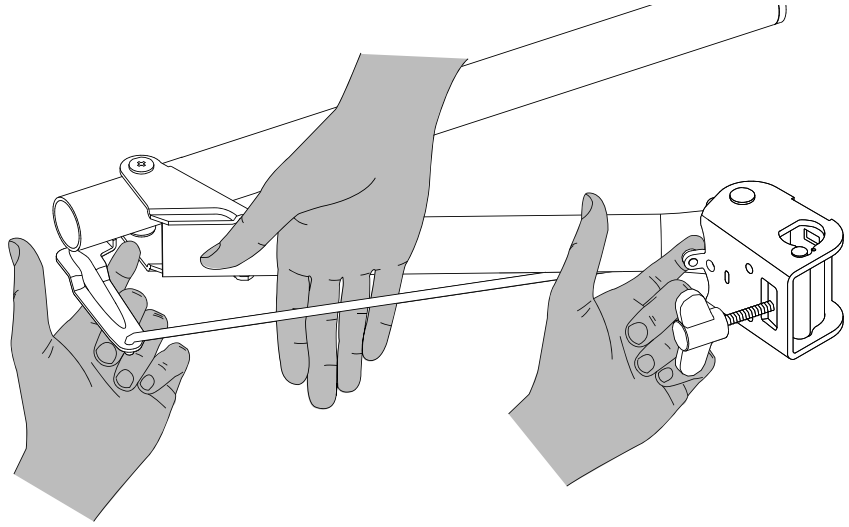
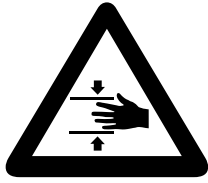
K	T
800	400
900	450
1000	500
1000	600

H
610 - 650
651 - 690
691 - 730
731 - 770

K	T
800	400
900	450
1000	500
1000	600

H
610 - 650
651 - 690
691 - 730
731 - 770

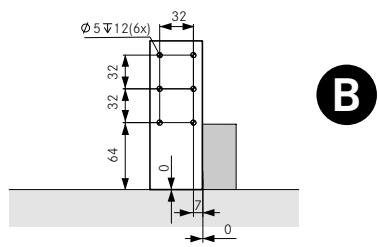
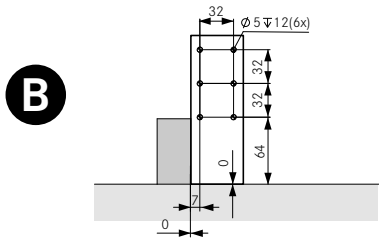
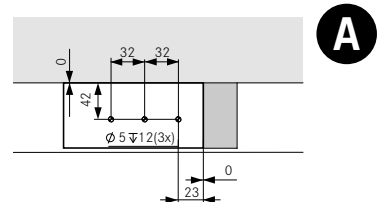
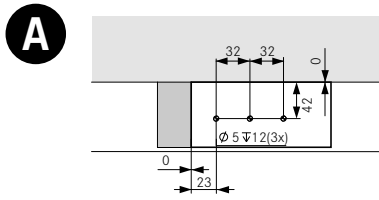
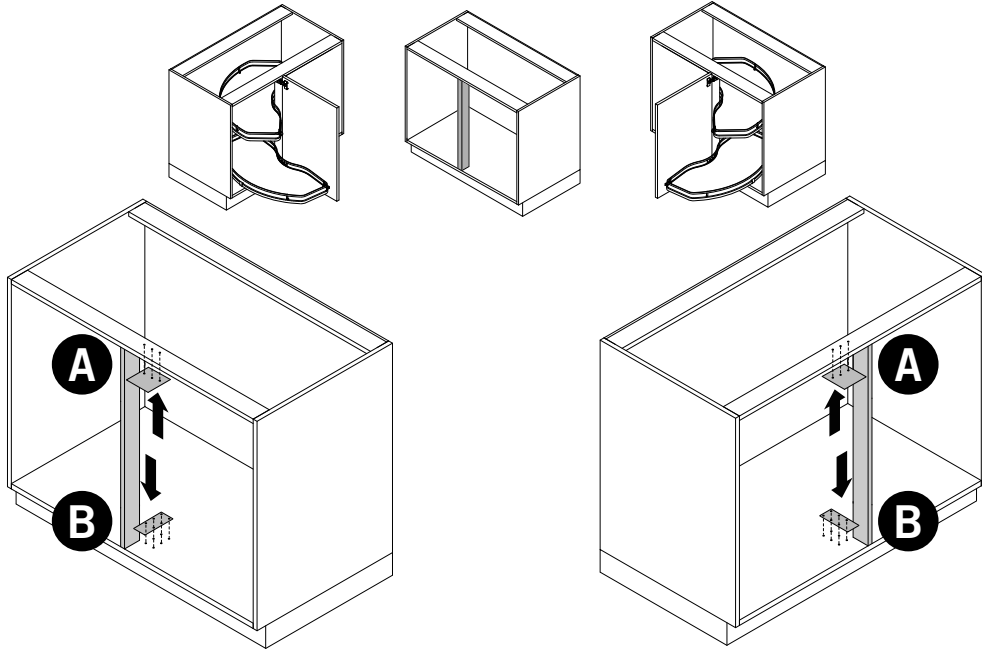




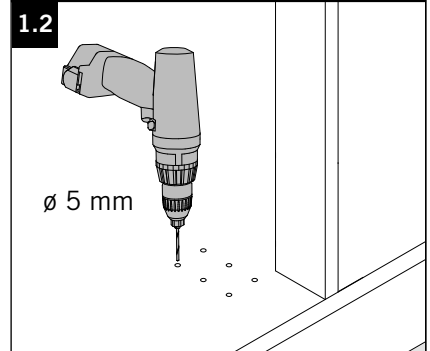
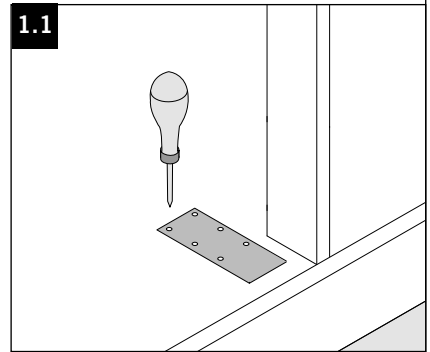
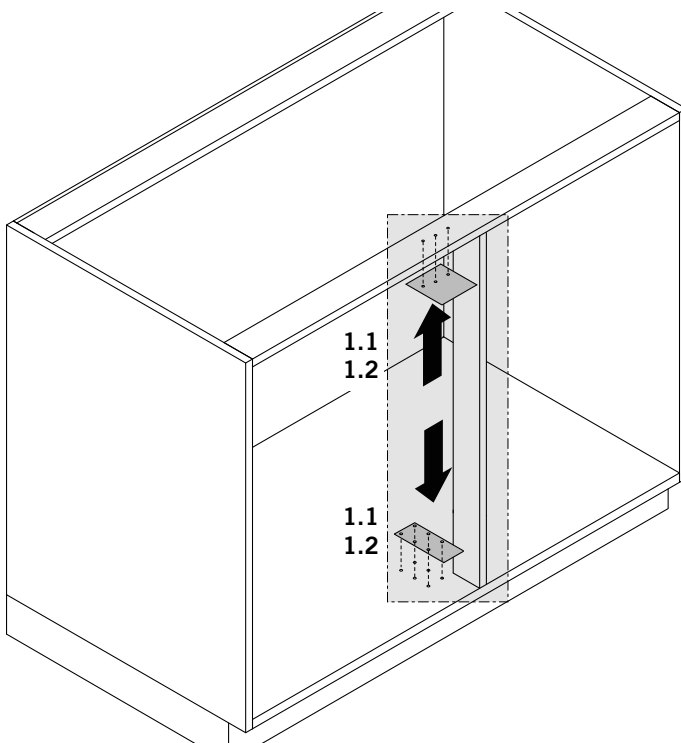
1



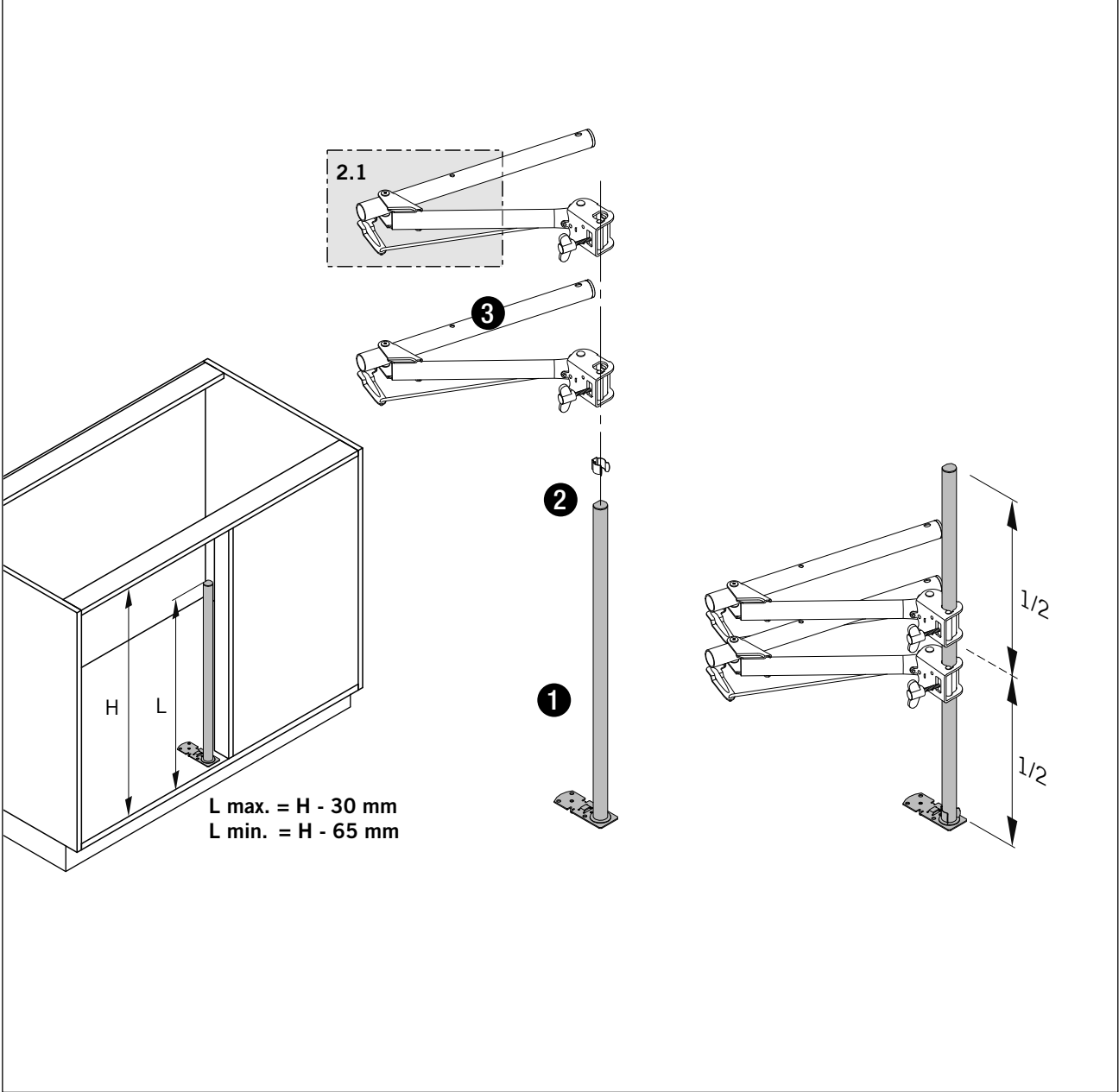
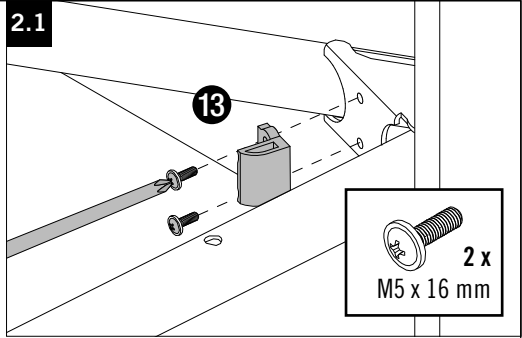
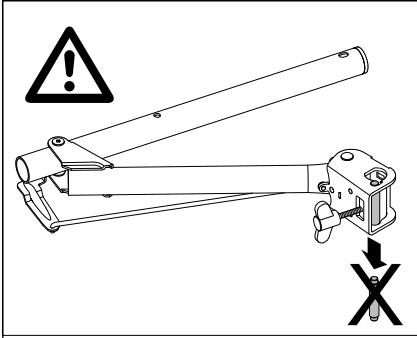
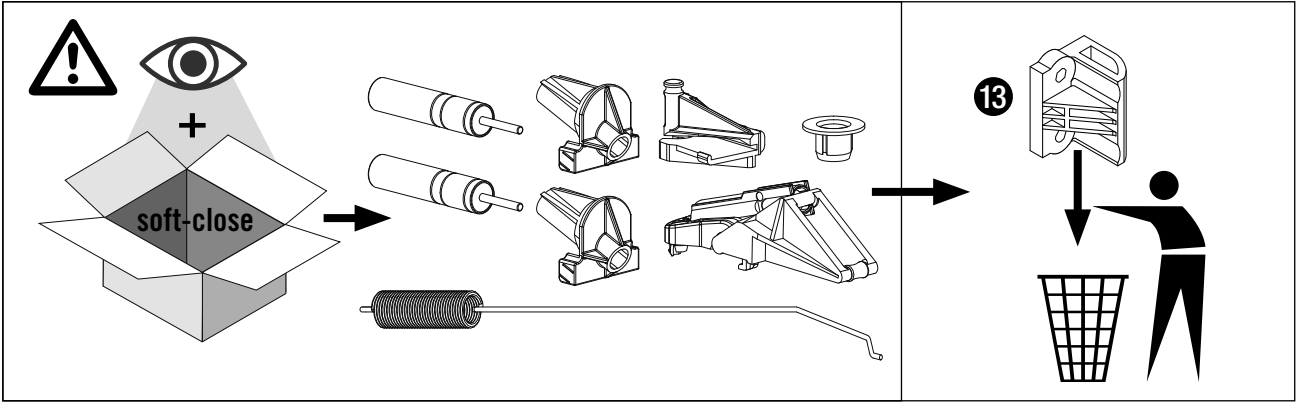
Ø 5 mm



T1
T2



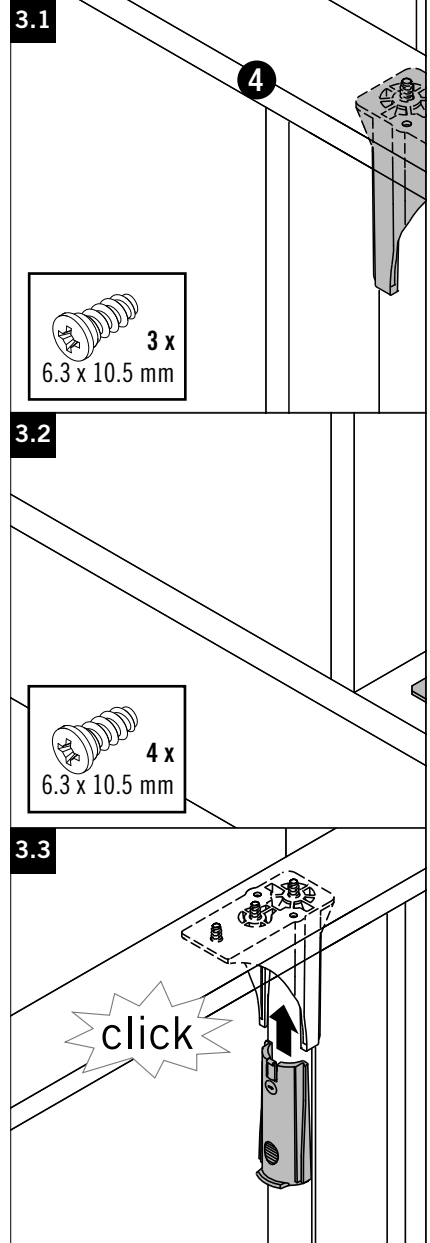
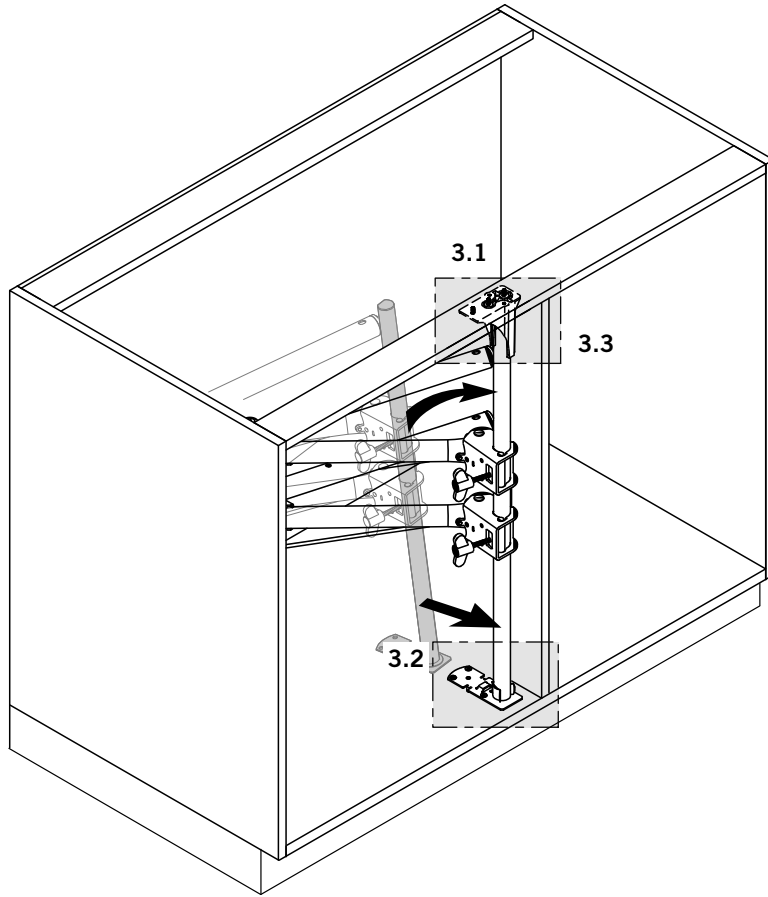
2



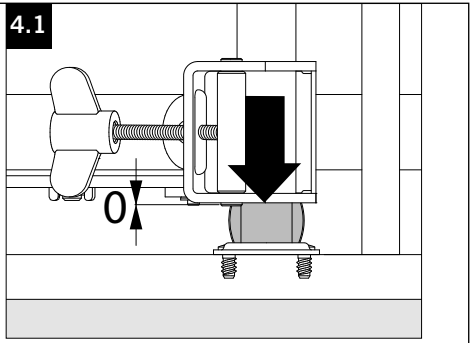
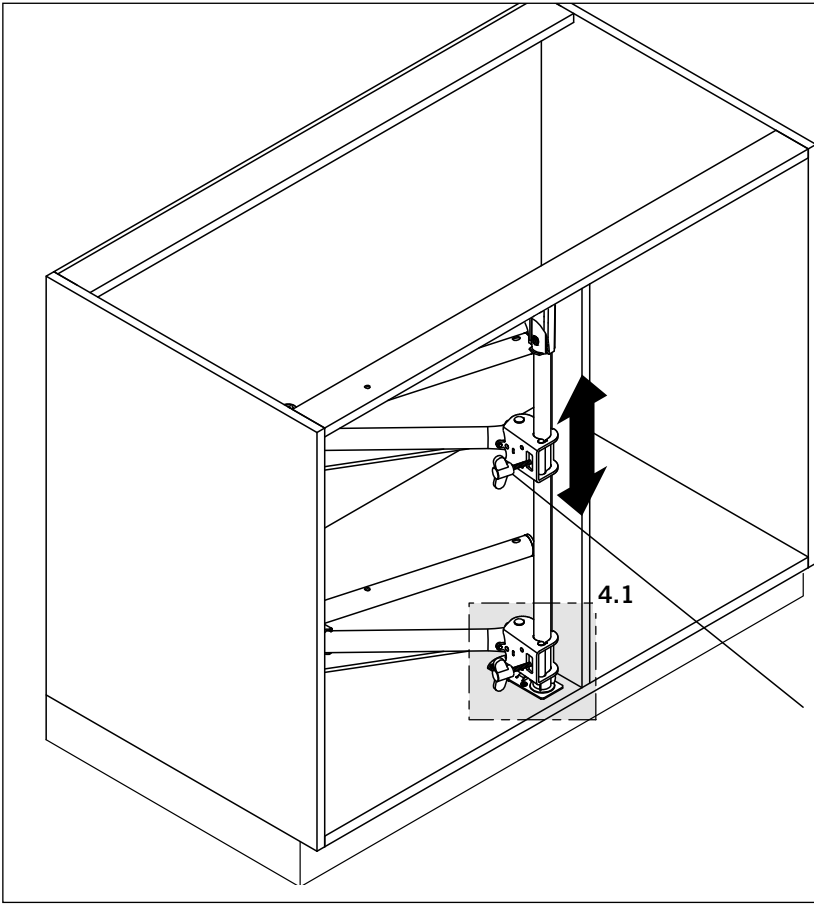
3



PZ 2

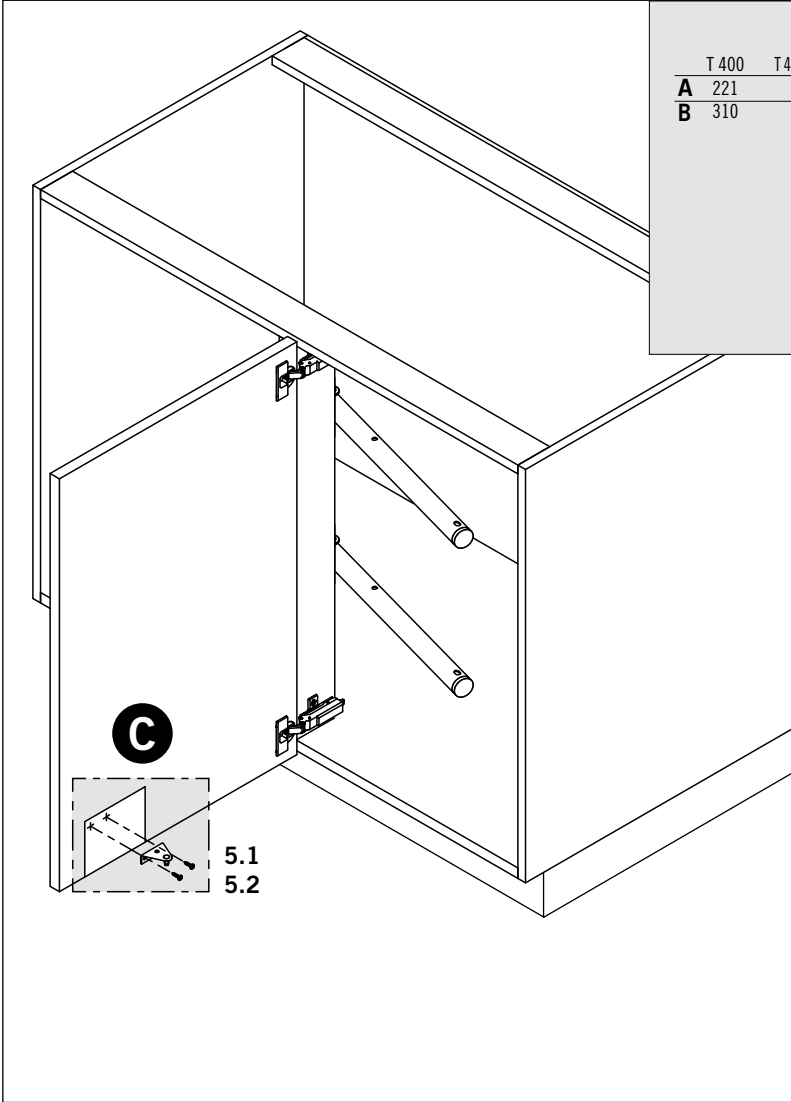
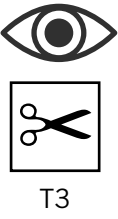


4

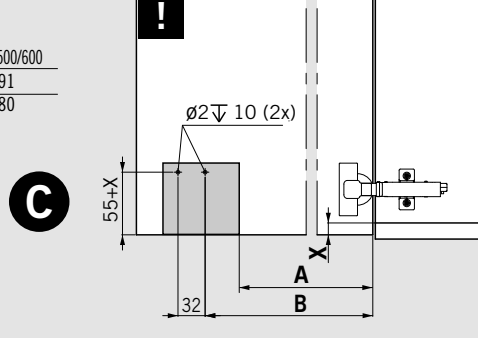
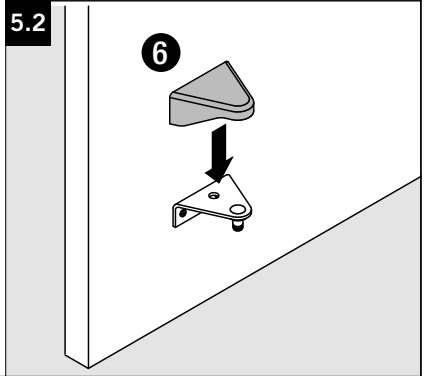
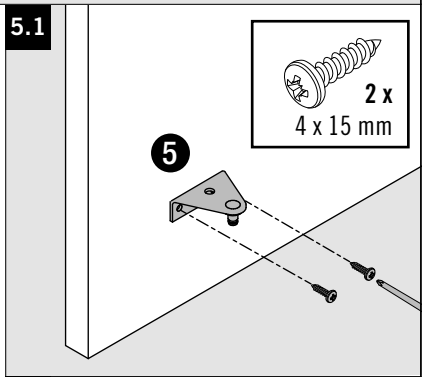


 min. 4 Nm

5



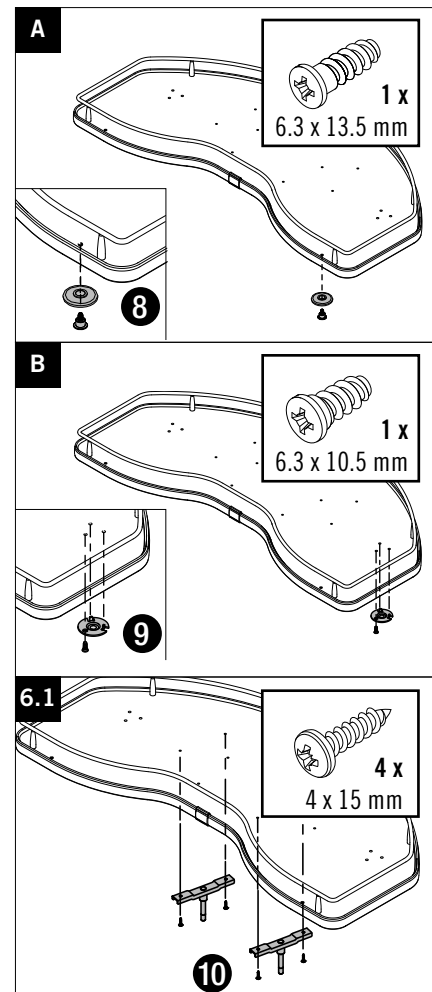
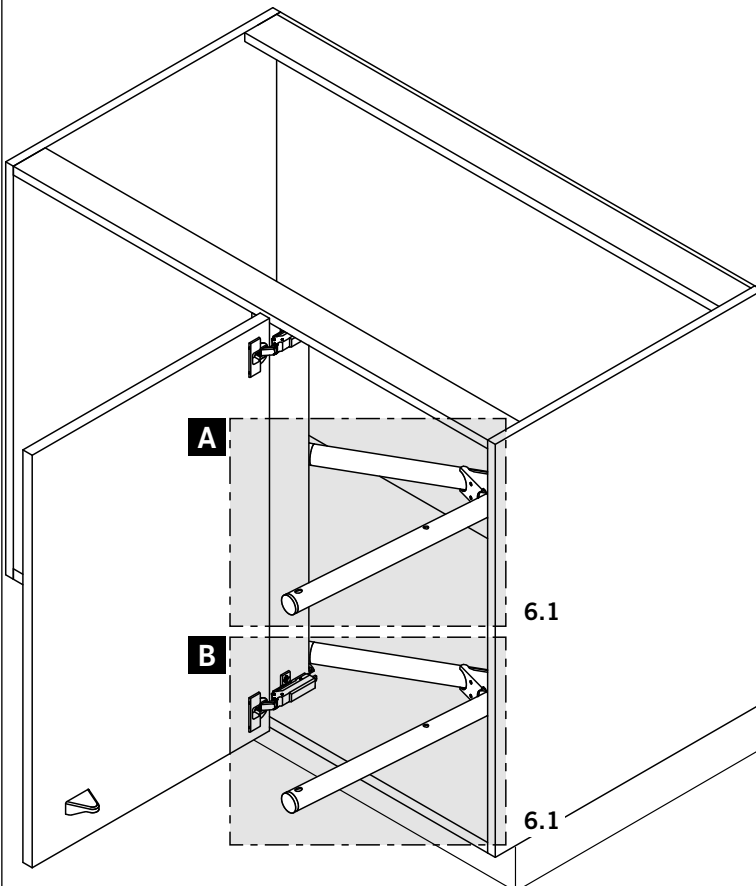
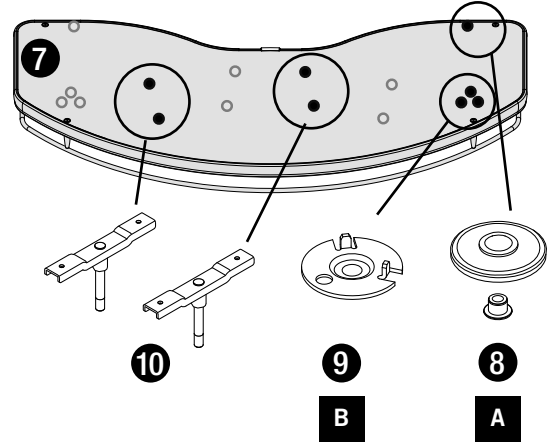
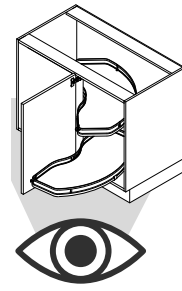
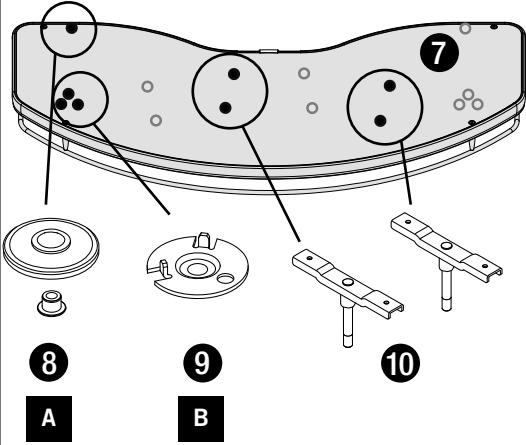
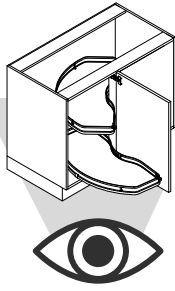
	T 400	T 450/500/600
A	221	291
B	310	380

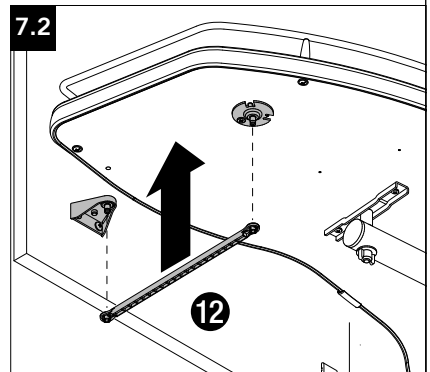
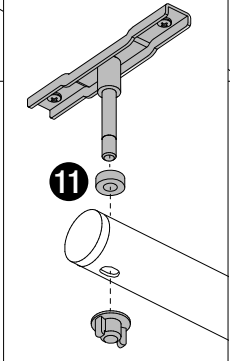
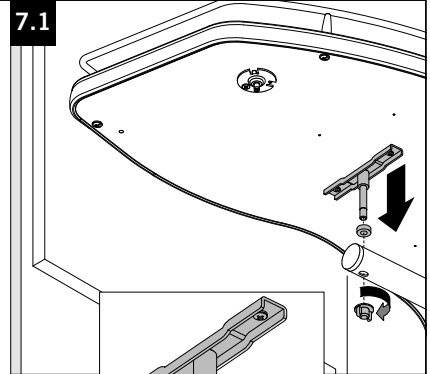
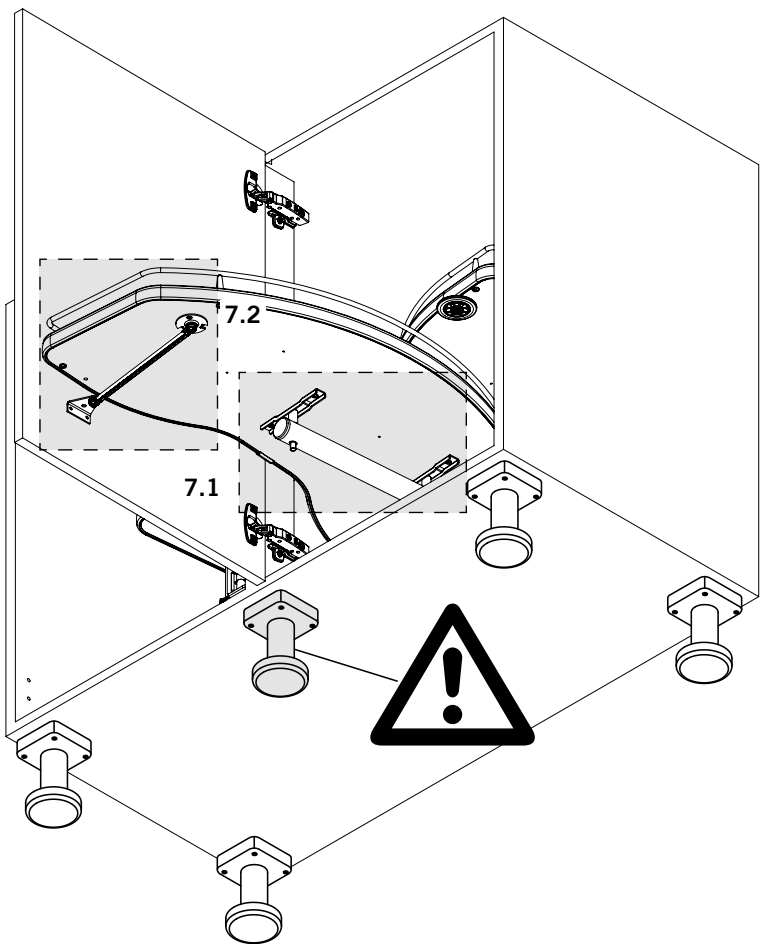
6



PZ 2



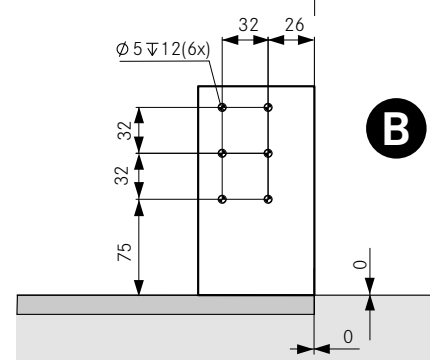
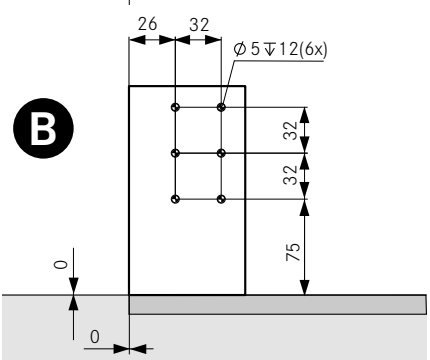
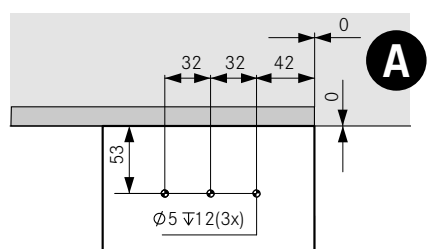
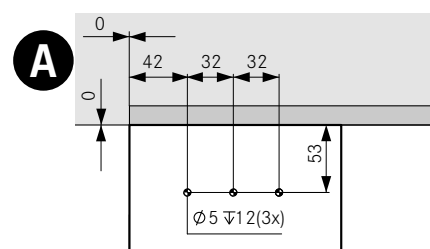
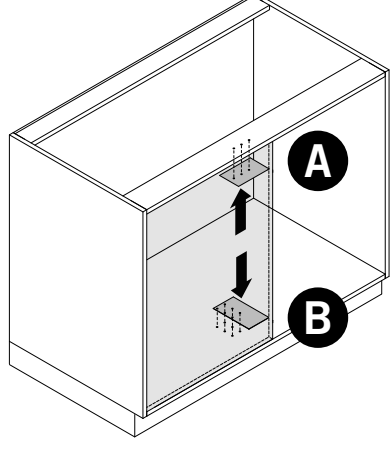
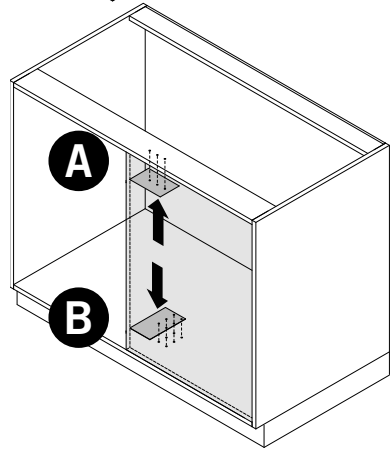
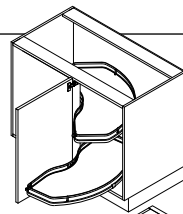
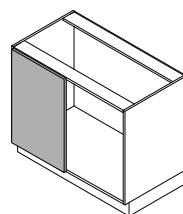
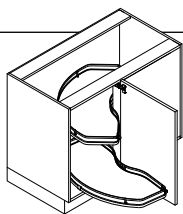
7



1



Ø 5 mm



2



7



T4
T5
T6

